



Meaningful Innovation.

WEEE Number: 80133970

INSTRUCTION MANUAL

LED DOME LIGHT



02 YEAR WARRANTY
IP44 RATING
SPHERE 360° STAYS BRIGHT

TECHNICAL DATA:

MODEL	SKU	WATTS	LUMENS	BEAM ANGLE	BODY TYPE	LIFE SPAN	ON/OFF CYCLE	TOTAL CURRENT	LUMEN PER WATTS	INPUT POWER	SHAPE	DIMENSION (LxWxH)
VT-861BS	7659	18W	1800LM	Sphere 360°	PP+PMMA	20,000 Hours	>15,000	100mA	100lm/w	AC:220-240, 50/60Hz	ROUND	ø 225 x 60 mm
	SQUARE										225x225x60mm	
VT-8624S	7662	24W	2400LM	Sphere 360°	PP+PMMA	20,000 Hours	>15,000	170mA	100lm/w	AC:220-240, 50/60Hz	ROUND	ø 295 x 65 mm
	SQUARE										295x295x65mm	
VT-8630S	7665	30W	3000LM	Sphere 360°	PP+PMMA	20,000 Hours	>15,000	140mA	100lm/w	AC:220-240, 50/60Hz	ROUND	ø 420 x 65 mm
	SQUARE										420x420x65mm	

SENSOR TECHNICAL DATA:

DIMENSION	INPUT POWER	STANDBY POWER	WORKING FREQUENCY OF RADAR MODULE	INSTALLATION HEIGHT
16mm*16mm*2.2mm	DC: 5V	5V @ < 12mA	5.8GHz ± 75Mhz	3m

DETECTION RADIUS	INITIALIZATION TIME	HOLDUP TIME	WORKING TEMPERATURE	AMBIENT LIGHT THRESHOLD
2-4m	4 sec	1 Min	-20°C ~ 85°C	30Lux

'This product contains a light source of energy efficiency class <F>', where <F> shall be replaced by the energy efficiency class of the contained light source.

INTRODUCTION & WARRANTY

Thank you for selecting and buying V-TAC product. V-TAC will serve you the best. Please read these instructions carefully before starting the installation and keep this manual handy for future reference. If you have any another query, please contact our dealer or local vendor from whom you have purchased the product. They are trained and ready to serve you at the best. The warranty is valid for 2 years from the date of purchase. The warranty does not apply to damage caused by incorrect installation or abnormal wear and tear. The company gives no warranty against damage to any surface due to incorrect removal and installation of the product. The products are suitable for 10-12 Hours Daily operation. Usage of product for 24 Hours a day would void the warranty. This product is warranted for manufacturing defects only.

WARNING:

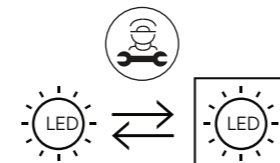
- Please make sure to turn off the power before starting the installation.
- Installation must be performed by a certified person.
- The light source of this luminaire is not replaceable, when the light source reaches its end of life the whole luminaire should be replaced.
- For Indoor use only
- If the external flexible cable or cord of this luminaire is damaged, it shall be exclusively replaced by the manufacturer or his service agent or a similar qualified person in order to avoid a hazard.
- Method of attachment of the cable or cord such that any replacement can only be made by the manufacturer, his service agent or similar qualified person.



This marking indicates that this product should not be disposed of with other household wastes.



Caution, risk of electric shock.



Replaceable (LED Only) light source by a professional



MULTI-LANGUAGE MANUAL QR CODE

Please scan the QR code to access the manual in multiple languages

ATTENTION!

Do not look directly at LED light beam. Product can only be supplied by rated voltage or voltage within the range provided. It's forbidden to use the product with damaged protective cover. Product must not be used in unfavorable conditions, e.g. dust, water, moisture, vibrations, explosive air atmosphere, fumes, or chemical fumes, etc. In the area of strong electromagnetic interference, the functioning of the product may be disrupted.

USAGE GUIDELINES / MAINTENANCE

Any maintenance work must be performed when the power supply is cut off and the product has cooled down. Clean only with soft and dry cloths. Do not use chemical detergents. Do not cover the product. Ensure free air access. Product may heat up to a higher temperature.

MOUNTING:

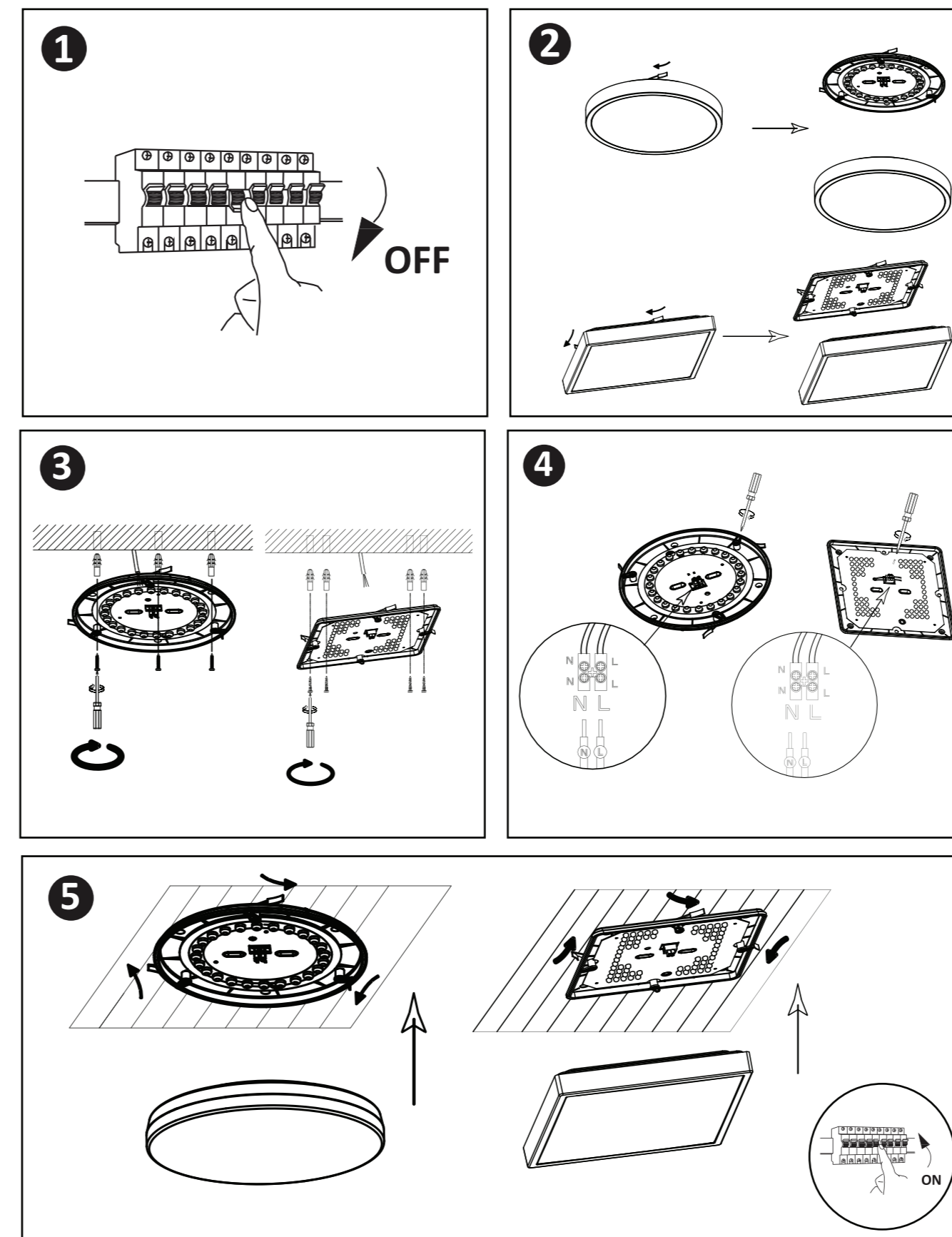
Read the manual before mounting. Mounting should be performed by a qualified electrician. Exercise caution. Product has a protective contact /terminal. Failure to connect the protective lead may lead to electric shock. Mounting diagram: see pictures. Check for proper mechanical fastening and connection to electrical power prior to first use.

INSTALLATION INSTRUCTION:

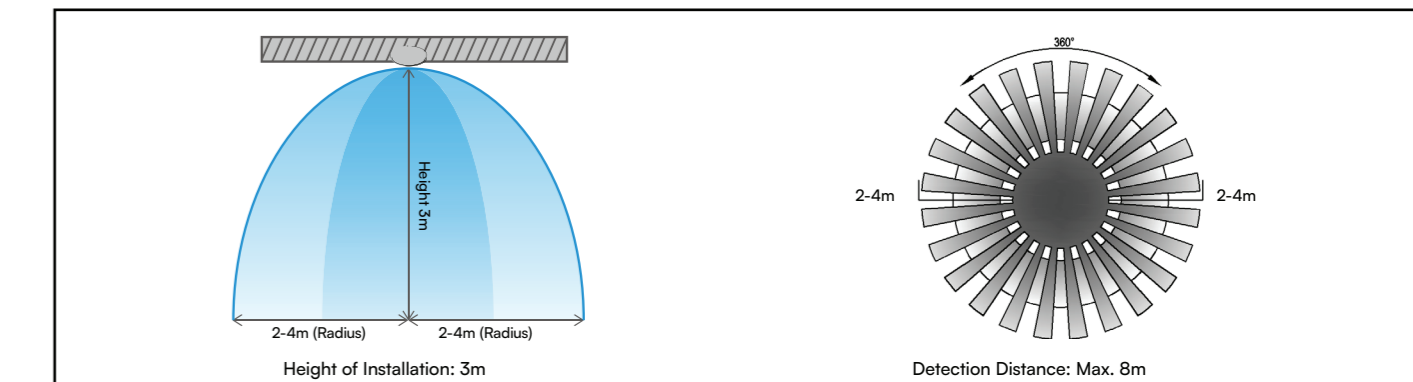
- Switch Off the Power Before Starting the Installation.
- Twist and remove the cover (Ref Image Part 2)
- Drill a hole in the ceiling to fix the light using screws (Ref Image Part 3)
- Connect the wires (Ref Image Part 4) before fixing the light using screws on the ceiling.
- Twist and lock the cover to the light (Ref Image Part 5)
- Switch ON the power and test the light.



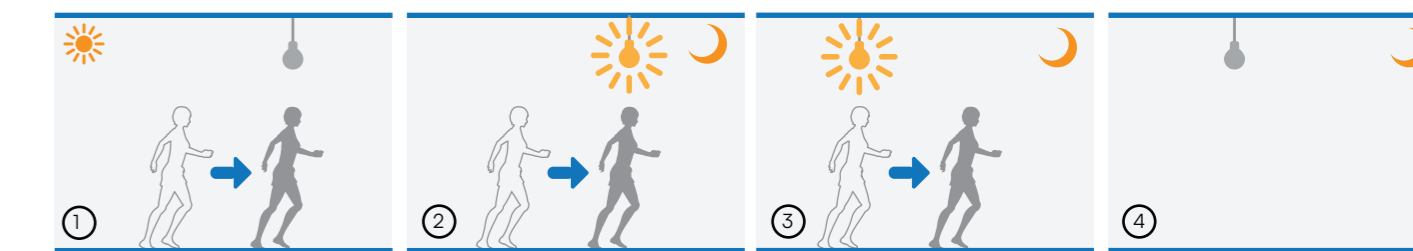
INSTALLATION DIAGRAM:



SENSOR INFORMATION



SENSOR USAGE



1. When the ambient light is bright enough, even if a moving object is detected, the lamp will not automatically light up
2. When the ambient light is lower than the preset photosensitive threshold, the light will automatically light up when the sensor detects a moving object
3. When the sensor cannot detect the moving object after the moving object leaves, it will enter the delay time and keep the light on
4. After the moving object leaves and after the preset delay time, the lamp will automatically turn off

TEST METHOD

Start Up Phase

1. The microwave lamp shall be installed at a height of 3M above the ground to ensure that the front induction antenna is horizontally downward, i.e. in the direction of the ground;
2. Power on;
3. The microwave induction module is connected to the power supply. At this time, the module continuously outputs the high level for self inspection for 4S. After the self inspection is completed, the module continuously outputs the low level and enters the working state.

Intelligent Control Stage:

1. When someone enters the microwave induction coverage range (2-4 meters can be customized), the microwave induction module outputs a high level;
2. If someone is active in the microwave coverage area, the induction module always outputs a high level;
3. When a person leaves the microwave coverage range for 1 minute, the induction module outputs a low level

Test precautions and special instructions:

1. During the test (especially when the technician tests the sample, the product must be placed on the table top and the antenna surface must be upward), the person must be at least 1m away from the table top.
2. When the light is off, the radar silence time of 1 second is required to be triggered again;
3. During the test, try to eliminate external interference factors, such as the movement of the machine and people or the movement of the partition wall, and prevent low-frequency resonance, false alarm and misjudgment;
4. The delay time refers to the time interval from the start to the end of the last sensing signal, and the countdown after the person leaves the sensing area;
5. Traditional products are not suitable for long-distance applications installed in a narrow space
6. The above delay time, distance and photosensitive parameters can be appropriately modified according to customer requirements.

Supplementary Note:

Warning: If signal output port (IFI / IFQ) is sensitive to ESD (electrostatic damage), contact with high electrostatic area or power area may cause irreversible damage to the radar module

Warning: If the lamps have been matched (not limited to brands and models) in the development stage, please do not replace other unmatched equipment (including but not limited to power supply and lamps) during use. If the equipment is replaced without authorization and there is any abnormality, our company will not be responsible.

Suggestion: It is recommended to use qualified DC stabilized power supply, i.e. DC stabilized power supply with output voltage, current and ripple coefficient up to standard, otherwise the stability of this product will be affected and some abnormalities may occur, such as false alarm, no induction, circulation and self startup.

Matters Needing Attention

1. Avoid installing metal accessories or shells, which will shield the microwave and affect the effect;
2. The antenna surface shall be protected from high current circuit coverage, which may cause interference;
3. The photosensitive position shall be protected from opaque objects, which will change the photosensitive intensity;
4. The recommended installation distance of the sensor is greater than 1.5m.